

# KitchenConnect™ K3000 Upgrade for KFC Online Projections Installation Kit Instructions

826-2886

## Replacing a controller

1. Remove the existing controller on the fryer. See Figure 1.
2. Connect the K3000 using supplied harness in kit. See Figure 2.
3. Attach the controller to the bezel. See Figure 3.
4. Turn K3000 controller on.
5. New K3000 will begin joining the network.
6. Once joined the fryer is ready for use.

In Kit		
Part #	Description	Qty
108-2915	Zigbee Radio Assembly	1
809-0237	Nuts, 4-40 KEPS	4
819-6690	Instructions	1
807-4552	Harness, End Terminator	2
816-0895	Gasket	1
220-8353	Nut Wrench	1
108-0485	Locator harness	1
809-0361	Screws, Self Tapping	2

## Adding a radio to an existing controller

1. Remove the screws attaching the bezel and remove the bezel.
2. Remove the screws attaching the controller and carefully lower the controller.
3. Slide the supplied gasket over the inner studs.
4. Slide the Zigbee radio onto the two studs on the rear of the controller ensuring that no connections are covered.
5. Use the supplied wrench and nuts to secure the radio to the controller.
6. Install a terminator in J6 CC CAN 6-pin connector and another in the radio as shown in Figure 5.
7. Attach ground wire from harness to ground terminal on controller. See Figure 4.
8. Ensure that at least one of the LED's is blinking or illuminated on the radio. See Figure 6.
9. Attach the locator harness to connector J3 on the controller. Ensure the correct locator is in the correct pin position. See Figures 7 and 8.
10. Attach the other end of the locator to the component box with enclosed self tapping screws.
11. Reattach the controller and bezel in reverse order.



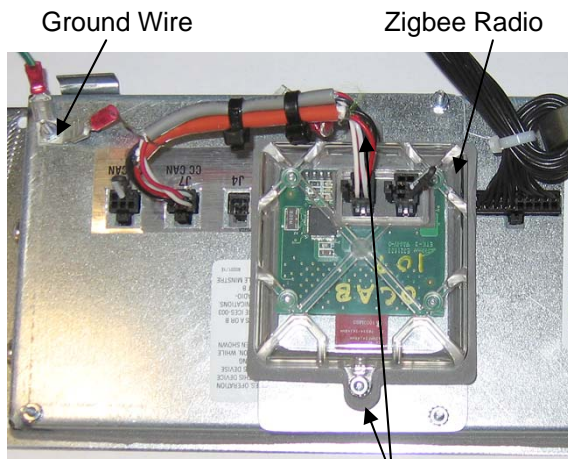
**Figure 1:** Remove the existing controller.



**Figure 2:** Connect the K3000 using the supplied harness.

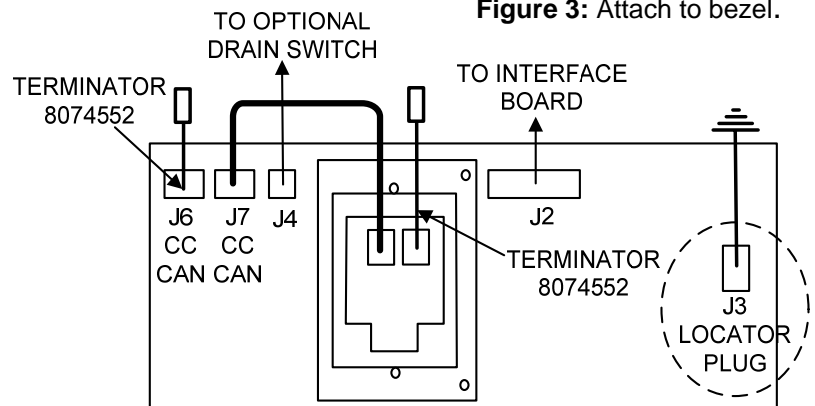


**Figure 3:** Attach to bezel.



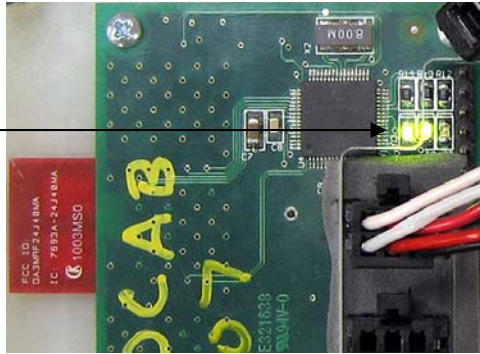
**Figure 4:** Single fryer controller with radio.

Slide radio on these two studs.



**Figure 5:** Controller wiring diagram

**Figure 6:** Illuminated LED's indicate radio is connected to the network.

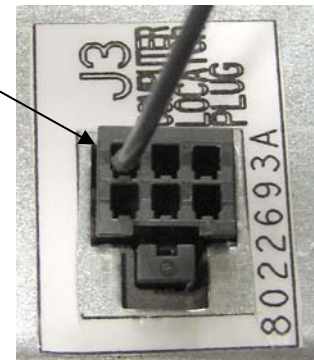


**Figure 7:** Locator position harness



Attach locator harness to component box.

Plug locator harness into J3/ locator connector.



**Figure 8:** Locator position connector (Pin 1)